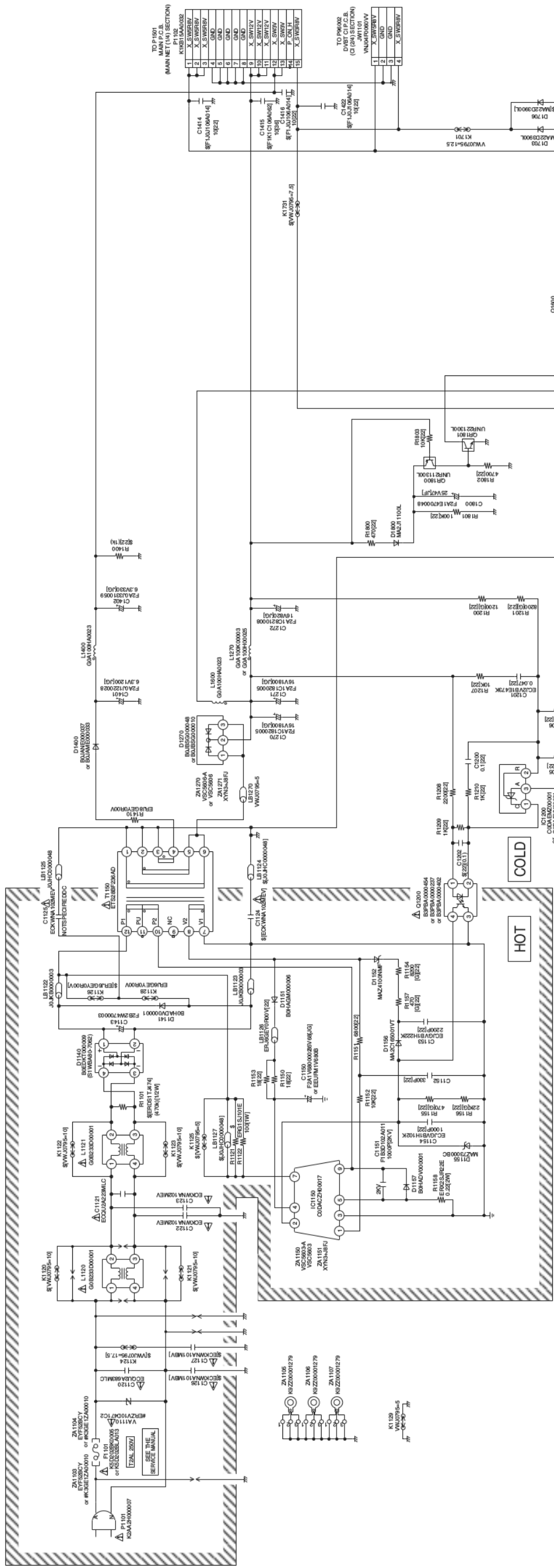
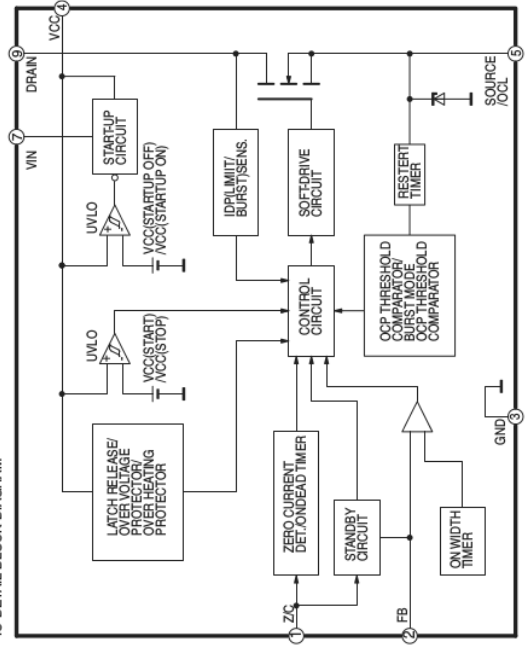


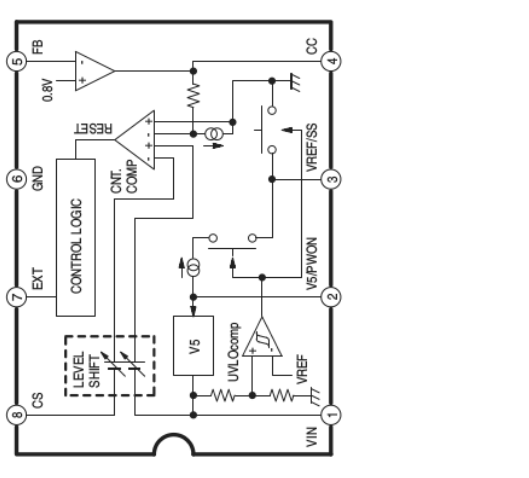
Power Supply Schematic Diagram



IC1150 SWITCHING IC IC-DETAIL BLOCK DIAGRAM



IC1601 SWITCHING IC IC-DETAIL BLOCK DIAGRAM



NOTE: PARTS INDICATED WITH '\$' MARK ARE NOT MOUNTED.
 NOTE: DO NOT USE THE PART NUMBER SHOWN ON THIS DRAWING FOR ORDERING. THE CORRECT PART NUMBER IS SHOWN IN THE PARTS LIST AND MAY BE SLIGHTLY DIFFERENT OR AMENDED SINCE THIS DRAWING WAS PREPARED.
 IMPORTANT SAFETY NOTICE: COMPONENTS IDENTIFIED WITH THE MARK Δ HAVE THE SPECIAL CHARACTERISTICS FOR SAFETY. WHEN REPLACING ANY OF THESE COMPONENTS ONLY THE SAME TYPE.