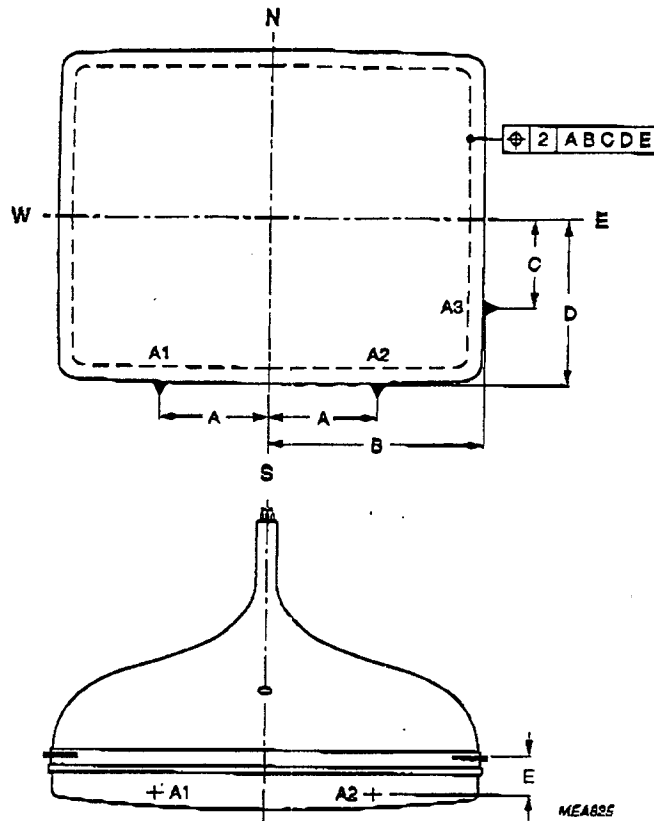


21" high resolution
colour monitor tube assemblies

M51EDF series



Dimensions in mm.

A = 171.7 mm.

B = 225.1 mm.

C = 115.6 mm.

D = 175.2 mm.

E = 5.1 mm (standard types), E = -12.9 mm (M51EDF118X.J...).

Fig.15 Mechanical reference points.

21" high resolution
colour monitor tube assemblies

M51EDF series

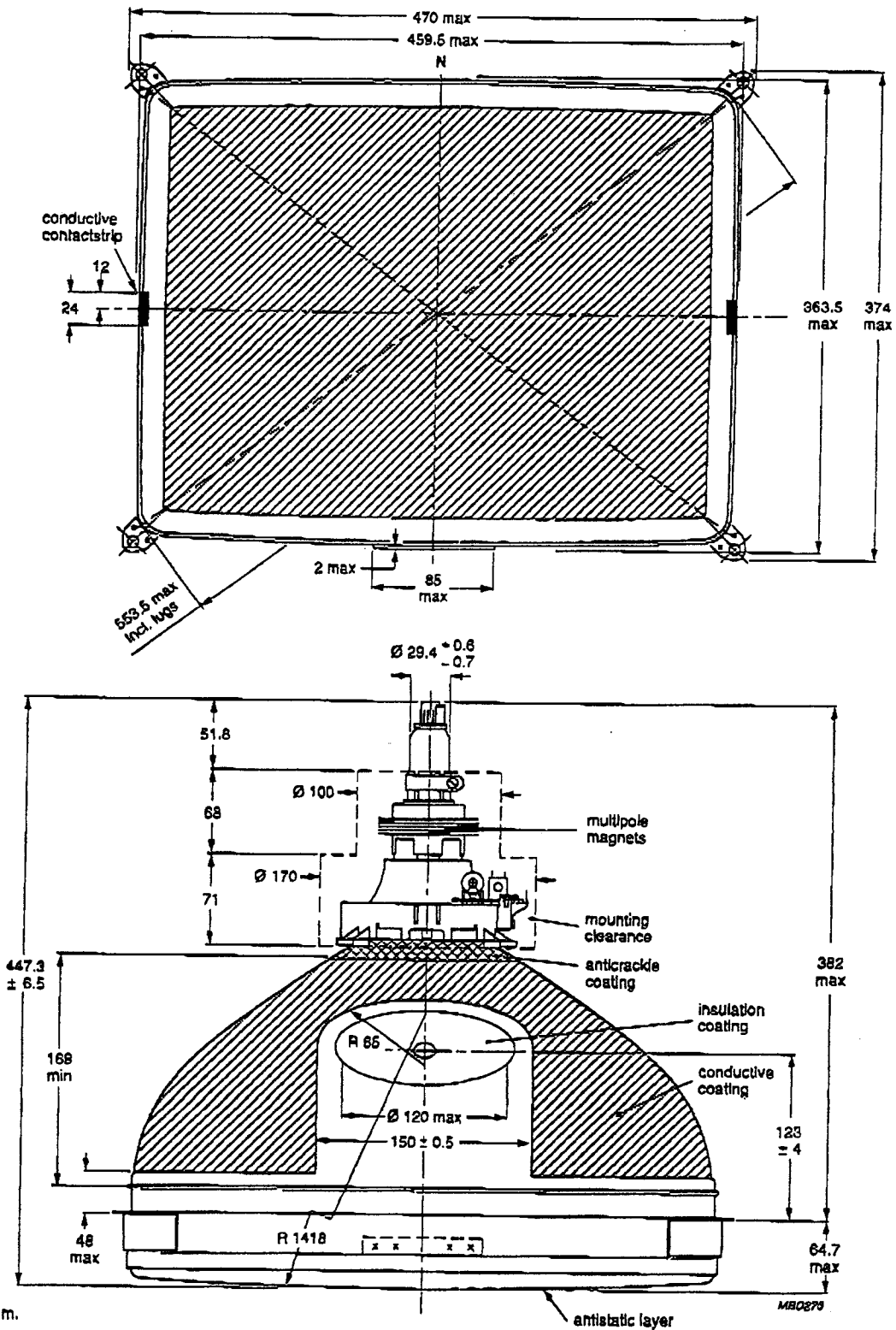
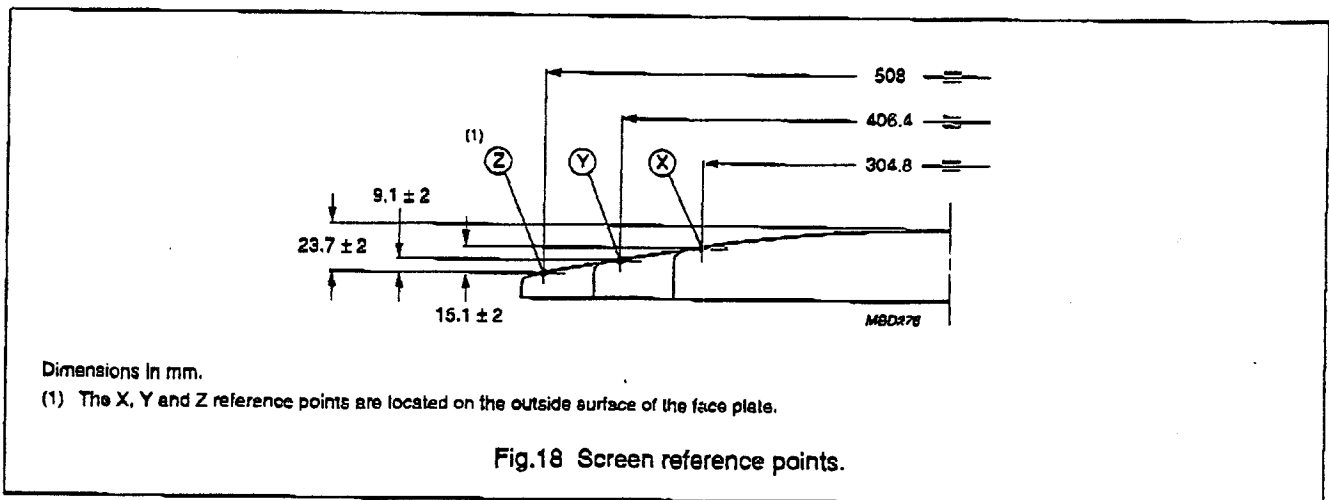
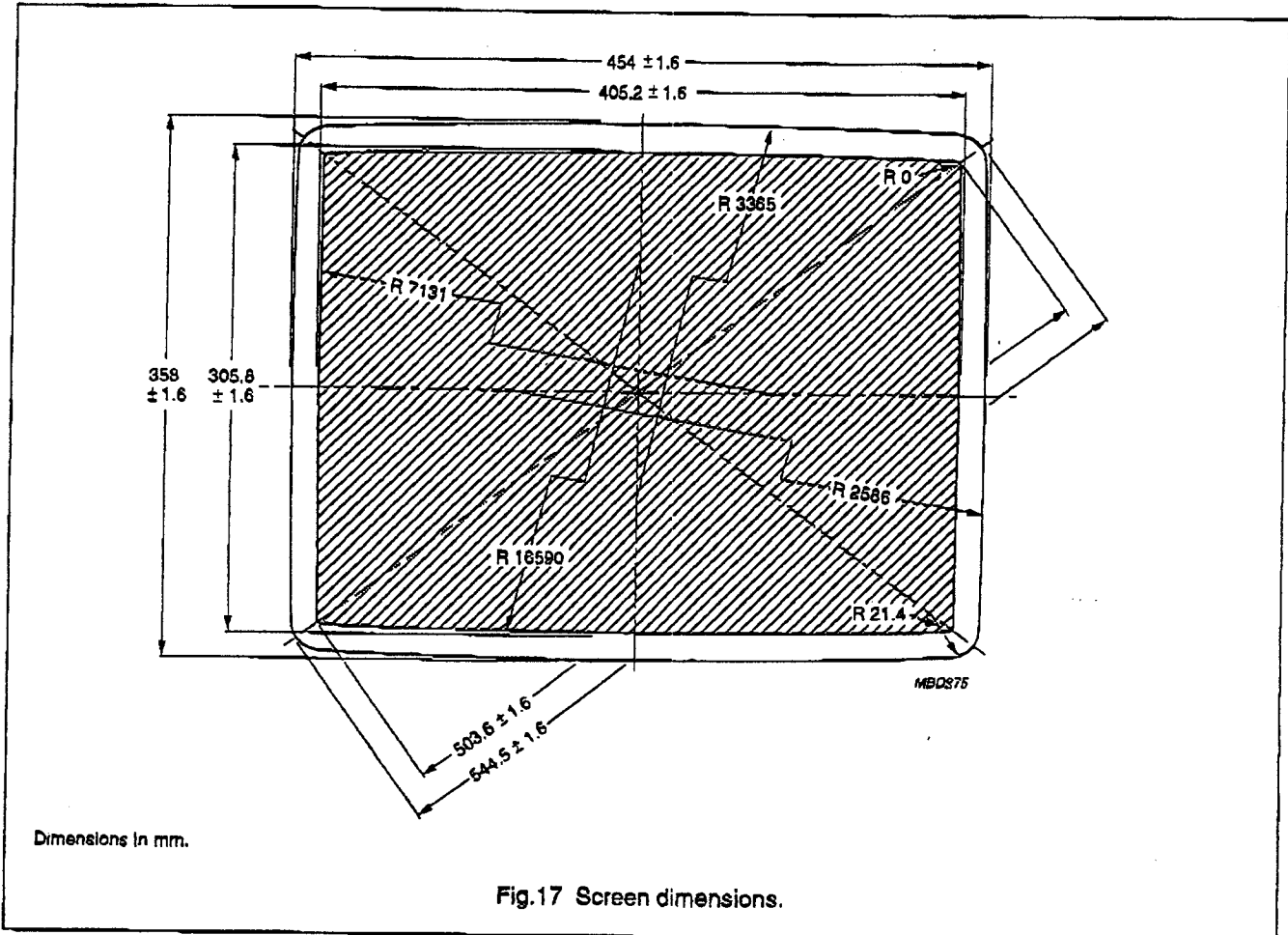


Fig.16 Top view,

21" high resolution
colour monitor tube assemblies

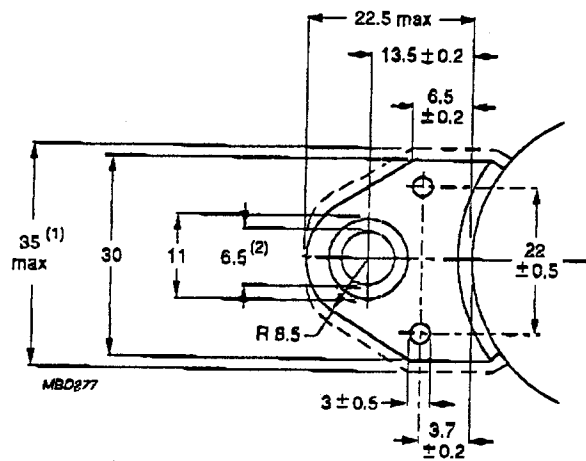
M51EDF series



21" high resolution
colour monitor tube assemblies

M51EDF series

3.6.1 LUG DATA

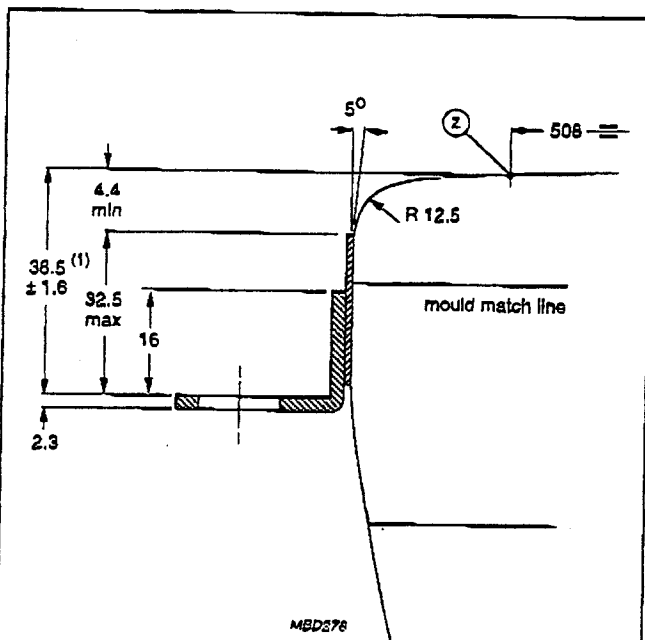


Dimensions in mm.

(1) Minimum space to be reserved for the mounting lug.

(2) The position of the mounting screw in the cabinet must be within a circle of 6.5 mm diameter drawn around the true geometrical positions, i.e. the corners of a rectangle of 449 mm x 354 mm.

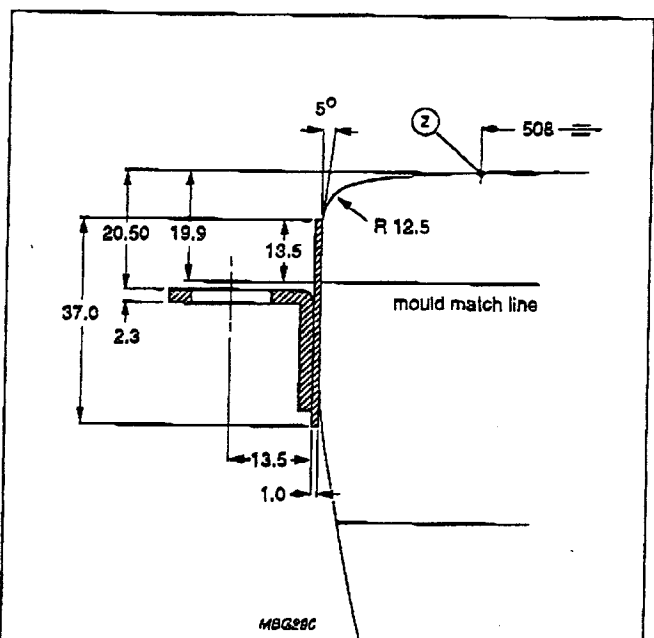
Fig.19 Lug dimensions.



Dimensions in mm.

(1) The displacement of any lug with respect to the plane through the other 3 lugs is maximum 0.8 mm.

Fig.20 Lug position M51EDF..X../Z0..



Dimensions in mm.

Fig.21 Lug position M51EDF1..X../Z0..

Philips Components

Product specification

21" high resolution colour monitor tube assemblies

M51EDF series

3.7 Sagittal heights of screen

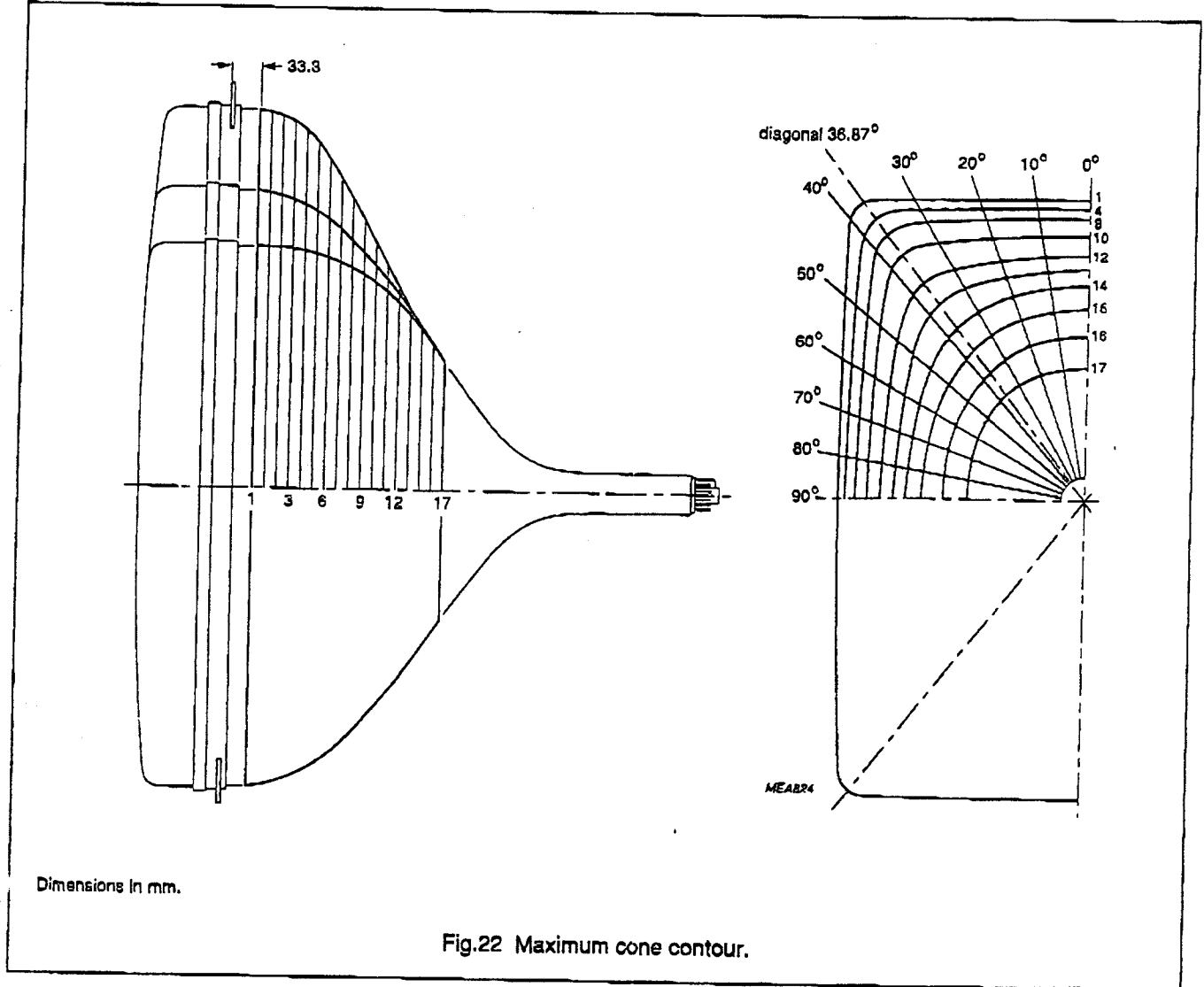
Sagittal heights of the nominal useful screen measured with respect to the end of the diagonal axis.

NOMINAL USEFUL SCREEN (NUS)			3 mm INSIDE NUS			5 mm OUTSIDE NUS		
CO-ORDINATES		SAGITTAL HEIGHT	CO-ORDINATES		SAGITTAL HEIGHT	CO-ORDINATES		SAGITTAL HEIGHT
X (mm)	Y (mm)		X (mm)	Y (mm)		X (mm)	Y (mm)	
202.6	0.0	14.6	199.6	0.0	14.1	207.6	0.0	15.3
202.6	10.0	14.6	199.6	10.0	14.2	207.6	10.0	15.3
202.6	20.0	14.7	199.6	20.0	14.3	207.6	20.0	15.4
202.6	30.0	14.9	199.6	30.0	14.4	207.6	30.0	15.6
202.5	40.0	15.1	199.5	40.0	14.7	207.5	40.0	15.8
202.5	50.0	15.4	199.5	50.0	15.0	207.4	50.0	16.1
202.5	60.0	15.8	199.4	60.0	15.4	207.4	60.0	16.5
202.4	70.0	16.3	199.4	70.0	15.8	207.4	70.0	17.0
202.3	80.0	16.8	199.3	80.0	16.4	207.3	80.0	17.5
202.2	90.0	17.4	199.2	90.0	17.0	207.2	90.0	18.1
202.1	100.0	18.1	199.1	100.0	17.6	207.1	100.0	18.8
202.0	110.0	18.8	199.0	110.0	18.4	207.0	110.0	19.6
201.9	120.0	19.7	198.4	120.0	19.2	206.9	120.0	20.4
201.7	130.0	20.6	198.7	130.0	20.1	206.7	130.0	21.3
201.6	140.0	21.6	198.6	140.0	21.1	206.6	140.0	22.3
201.5	150.0	22.6	198.5	145.0	21.6	206.5	150.0	23.4
201.4	151.1	22.7	198.5	148.1	22.0	206.4	156.0	24.1
200.0	151.1	22.5	195.0	148.2	21.5	200.0	156.1	23.1
190.0	151.3	21.1	190.0	148.3	20.7	190.0	156.3	21.6
180.0	151.4	19.7	180.0	148.4	19.4	180.0	156.4	20.3
170.0	151.6	18.4	170.0	148.6	18.1	170.0	156.6	19.0
160.0	151.8	17.3	160.0	148.8	16.9	160.0	156.8	17.8
150.0	151.9	16.2	150.0	148.9	15.8	150.0	156.9	16.7
140.0	152.0	15.1	140.0	149.0	14.8	140.0	157.0	15.7
130.0	152.1	14.2	130.0	149.1	13.9	130.0	157.1	14.8
120.0	152.3	13.3	120.0	149.3	13.0	120.0	157.3	13.9
110.0	152.4	12.6	110.0	149.4	12.2	110.0	157.4	13.1
100.0	152.5	11.8	100.0	149.5	11.5	100.0	157.5	12.4
90.0	152.5	11.2	90.0	149.5	10.9	90.0	157.5	11.8
80.0	152.6	10.7	80.0	149.6	10.3	80.0	157.6	11.2
70.0	152.7	10.2	70.0	149.7	9.8	70.0	157.7	10.7
60.0	152.7	9.7	60.0	149.7	9.4	60.0	157.7	10.3
50.0	152.8	9.4	50.0	149.8	9.1	50.0	157.8	10.0
40.0	152.8	9.1	40.0	149.8	8.8	40.0	157.8	9.7
30.0	152.9	8.9	30.0	149.9	8.6	30.0	157.9	9.5
20.0	152.9	8.7	20.0	149.9	8.4	20.0	157.9	9.3
10.0	152.9	8.7	10.0	149.9	8.3	10.0	157.9	9.3
0.0	152.9	8.6	0.0	149.9	8.3	0.0	157.9	9.2

21" high resolution
colour monitor tube assemblies

M51EDF series

3.8 Cone contour



Philips Components

Product specification

21" high resolution
colour monitor tube assemblies

M51EDF series

Cone contour data

SECTION	NOMINAL DISTANCE FROM SECTION 1 (mm)	MAXIMUM DISTANCE FROM TUBE AXIS (mm)										
		0°	10°	20°	30°	36.87°	40°	50°	60°	70°	80°	90°
1	0.0	225.7	228.9	239.1	257.8	271.8	267.2	227.9	203.1	187.9	179.6	177.0
2	10.0	224.6	227.7	237.7	255.9	270.0	265.3	226.7	201.9	186.8	178.6	175.9
3	20.0	221.8	224.8	234.3	251.1	264.3	259.6	222.9	198.9	184.2	176.1	173.5
4	30.0	218.1	220.9	229.6	244.5	254.7	250.6	217.9	195.1	180.9	173.1	170.6
5	40.0	213.8	216.4	224.1	236.5	243.1	239.6	212.0	190.9	177.3	169.9	167.5
6	50.0	208.7	211.0	217.7	227.5	231.3	228.4	205.6	186.3	173.6	166.5	164.2
7	60.0	202.6	204.5	210.0	217.5	219.5	217.0	198.5	181.0	169.3	162.6	160.5
8	70.0	195.1	196.8	201.3	206.9	207.6	205.4	190.3	175.1	164.4	158.3	156.3
9	80.0	186.2	187.6	191.4	195.6	195.4	193.5	181.3	168.4	158.9	153.3	151.5
10	90.0	175.6	176.9	180.1	183.3	182.8	181.1	171.4	160.7	152.5	147.6	146.0
11	100.0	163.6	164.6	167.4	169.9	169.2	167.9	160.4	151.9	145.2	141.0	139.6
12	110.0	150.3	151.3	153.8	155.7	154.7	153.6	147.9	141.7	136.6	133.4	132.3
13	120.0	136.4	137.3	139.3	140.4	139.5	138.6	134.5	130.3	126.8	124.6	123.9
14	130.0	122.1	122.8	124.4	124.9	124.0	123.3	120.7	118.2	116.1	114.7	114.3
15	140.0	107.5	107.7	108.2	108.6	108.4	108.2	107.0	105.7	104.5	103.8	103.5
16	150.0	92.6	92.3	92.3	92.6	92.8	92.9	92.9	92.6	92.1	91.6	91.4
17	159.5	78.1	78.1	78.1	78.1	78.1	78.1	78.1	78.1	78.1	78.1	78.1