

Audio Oscillator
Phase-shifting oscillator

OH2NLT

Drawn 18.02.2019

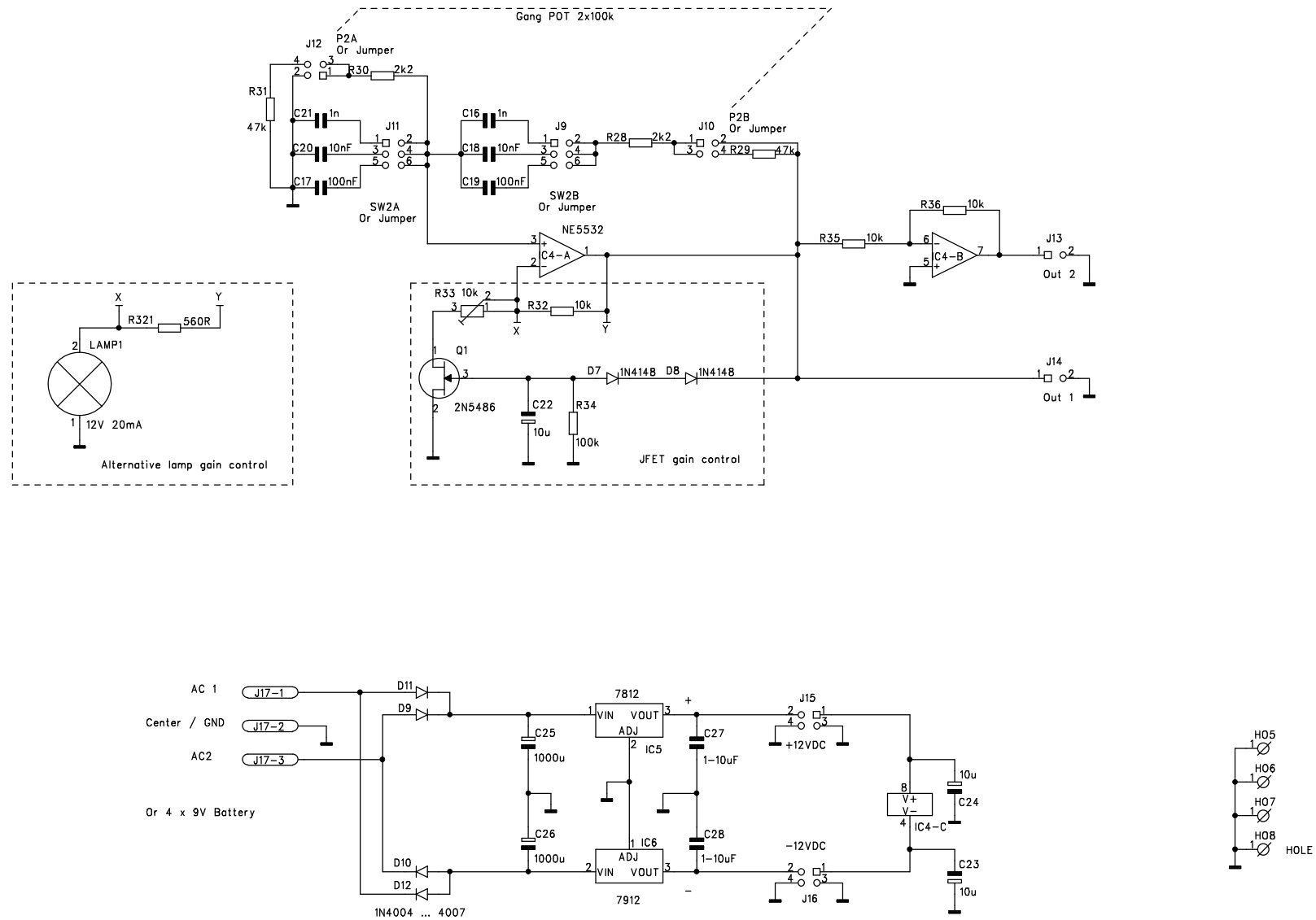
JNi

DRAWING No.

Rev. A 4.3.2019

Appr.

Page 1



Audio oscillator

Wien Bridge osc & PSU

OH2NLT

DRAWING No.

Rev. A 4.3.2019

Drawn

18.02.2019

JNi

Appr.

Page 2